

Central Brass Company, Inc.
3325 S. Garfield Ave.
Commerce, CA 90040
(800) 321-8630
www.centralbrass.com

INSTALLATION

Tools:



Adjustable Wrench



Power Drill



Teflon Tape



Rags

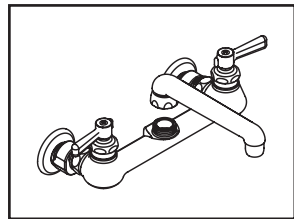
Model Number: 0640, 0642-LE

Warnings and Notes:

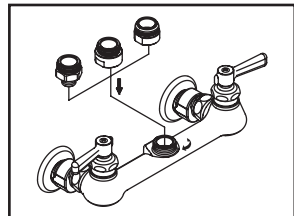
Check with local plumbing code requirements before installation.
This product should be installed by a local listed plumber.
Do not use plumbers putty on threads.

Installation Steps:

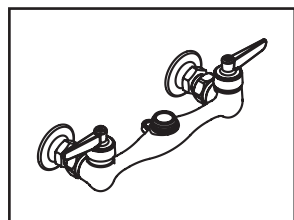
Rigid Pre-Rinse Unit



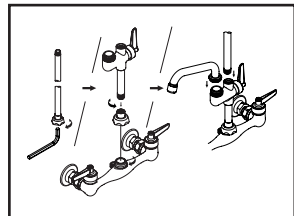
(1a) For existing faucet which is not Central Brass to change to pre-rinse faucet installation: Remove spout from existing faucet.



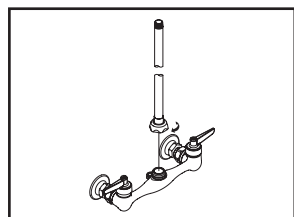
(1b) Choose the proper adapter supplied and attach to faucet body.



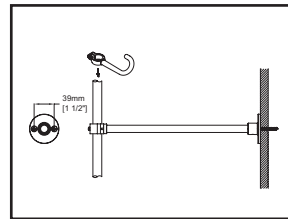
(2) For new faucet installation: Please refer to the installation instruction which comes with the faucet you want to install.



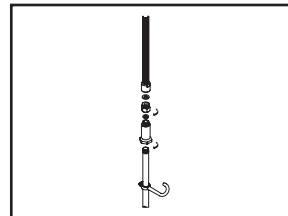
(3) If there is no add-on faucet, please go to step (4). Remove body adapter from 24" riser with Allen wrench supplied with add-on faucet and attach body adapter to inlet of add-on faucet with Allen wrench. Attach add-on faucet to faucet body by tightening body adapter with wrench then attach spout to add-on faucet. Apply Teflon tape to both thread ends of 24" riser then thread 24" riser to add-on faucet, go to step (5).



(4) Attach 24" riser to faucet body by tightening body adapter with wrench.



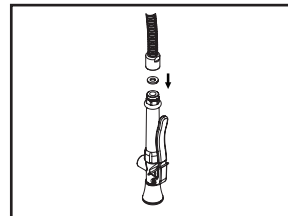
(5) Install 12" adjustable wall bracket and cut the excess support arm to fit in proper distance from wall to 24" riser. Attach finger hook & screw, adjust to proper position.



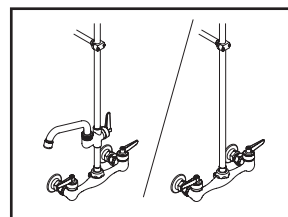
(6) Attach spring body to 24" riser with wrench, make sure hose adapter washer is seated properly inside the hose adapter and tighten hose adapter to spring body with wrench. Make sure hose washer is inside 44" hose connection end, tighten 44" hose to hose adapter with wrench.



(7) Slide 44" hose into overhead spring.

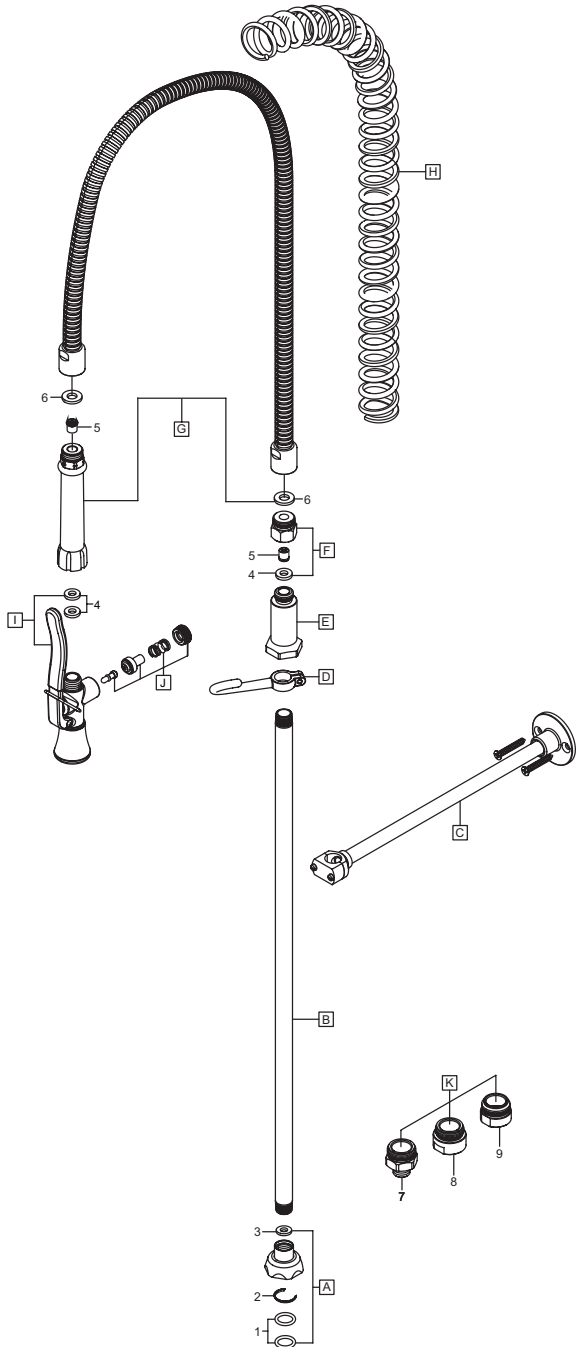


(8) Make sure hose washer is inside 44" hose connection end and tighten spray valve to 44" hose with wrench.



(9) Turn on water and check any leak on all connections.

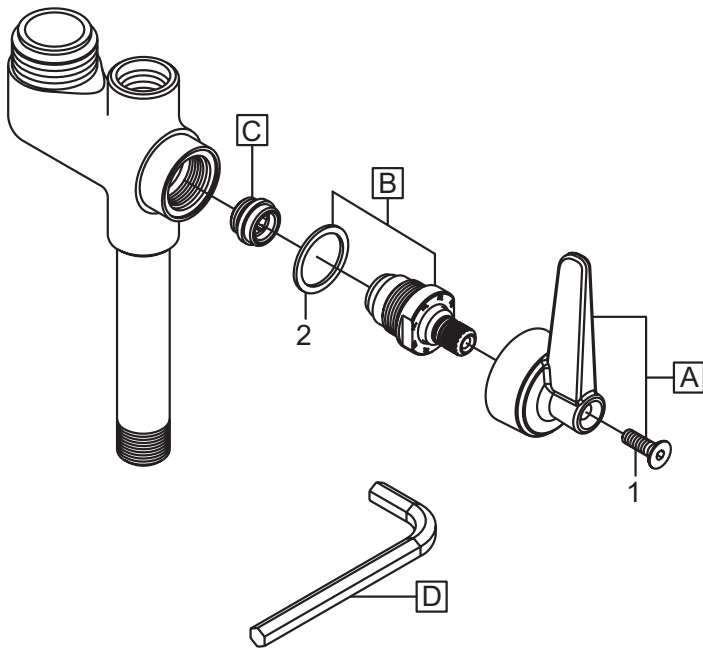
Exploded Drawing (0640):



	ITEM #	DESCRIPTION
A	CS-42020	Body adapter
B	CS-42019	24" Riser
C	CS-42018	12" Adjustable Wall Bracket
D	CS-42017	Finger hook & screw
E	CS-42016	Spring Body
F	CS-42015	Hose adapter
G	CS-42013	44" Hose and Handle Assembly
H	CS-42014	Overhead Spring
I	CS-42006	1.10 GPM Spray Valve
J	CS-42010	Spray Repair Kit
K	CS-42028	Adapter Package
1	X1038-KN	O-ring (25 pcs/pk)
2	XCS-42021	Friction Brass Washer (6 pcs/pk)
3	XCS-42022	Body adapter Washer (10 pcs/pk)
4	XCS-42023	Hose adapter Washer (10 pcs/pk)
5	XCS-47001	10 mm Check Valve (5 pcs/pk)
6	XCS-42025	Hose Washer (10 pcs/pk)
7	CS-42007	Adapter For Fisher
8	CS-42008	Adapter For Chicago Faucets
9	CS-42009	Adapter For T&S

Exploded Drawing (0642-LE):

	ITEM #	DESCRIPTION
A	CS-19007P	Lever Handle-Plain
B	G-453-ER	Hot O-Ring Stem Assembly with Gasket (X1028-Y)
C	X263-BC	Replacement Seat (10 pcs/pk)
D	CS-42026	1/4" Allen Wrench
1	XCS-49033	1/8" Handle Screw (10 pcs/pk)
2	X1028-Y	Gasket (25 pcs/pk)



Central Brass
C O M P A N Y, Inc.

For more care information or trouble shooting inquiries
about your Central Brass product, please call:

Central Brass Company, Inc. (800) 321-8630
Monday-Friday 8 AM to 8 PM EST (5 AM to 5 PM PST)

www.centralbrass.com